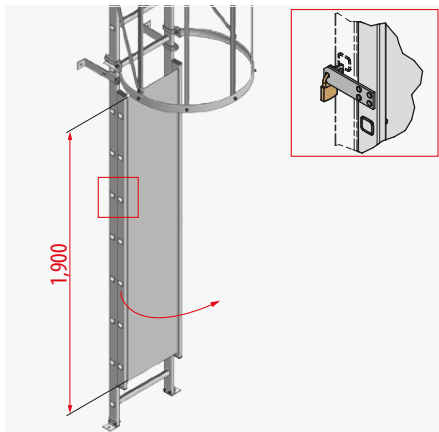


Individual elements – Accesses

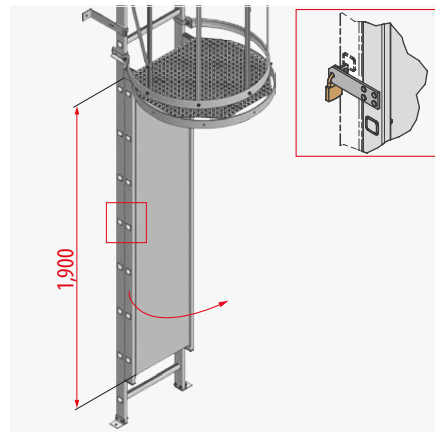
Access barrier, lockable



Type	alu
Order no.	0051637

- › Incl. padlock.
- › Floor brackets are not included in the scope of supply.
- › Not permitted for escape ladders to DIN 14094-1 and EN ISO 14122-4.
- › Opening to left. Opening to right available on demand.

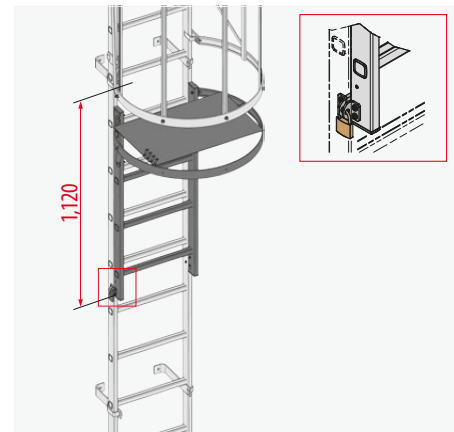
Access barrier with cover, lockable



Type	alu
Order no.	0051764

- › Incl. padlock.
- › Floor brackets are not included in the scope of supply.
- › Not permitted for escape ladders to DIN 14094-1 and EN ISO 14122-4.
- › Opening to left. Opening to right available on demand.

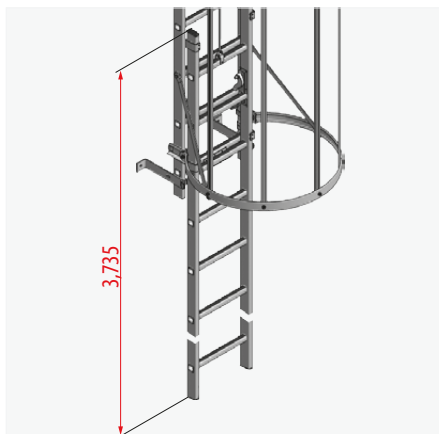
Access barrier



Type	alu
Order no.	0054770

- › Swivelling ladder section with platform.
- › Incl. padlock.
- › Not permitted for escape ladders to DIN 14094-1 and EN ISO 14122-4.
- › Opening to left. Opening to right available on demand.

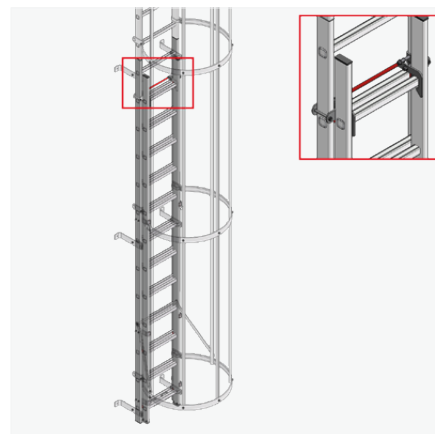
Retractable access (operation from bottom)



Form of delivery	Surcharge for complete ladder systems	Spare part for retrofitting with existing vertical ladder
Order no.	0051763	0052315

- › Ladder section can be released with the aid of a rope-pull from below.
- › Not permitted for escape ladders to DIN 14094-1.
- › Overlap: + /- 900 mm.
- › Max. access height: 2,800 mm.

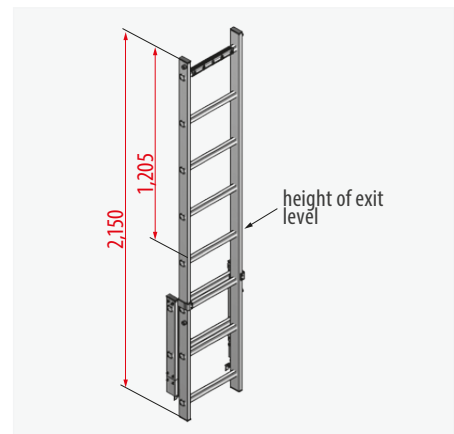
Emergency exit ladder



Type	alu
Length retracted (approx. m)	3.65
Length extended (approx. m)	6.17
Order no.	0055227

- › Access protection with automatic release when stepping on the top rung.
- › In accordance with DIN 14094-1.
- › Can be used for escape ladders from an access height of 6.9 m.

Extendable access aid



Type	alu
Order no.	0053345

- › For use with roof hatches, skylights and pits.

Lockable, self-closing access barrier according to EN ISO 14122-4 available on demand.